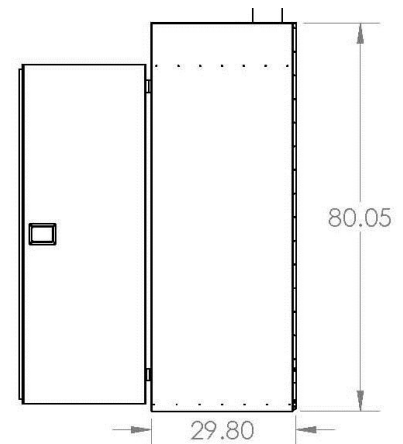
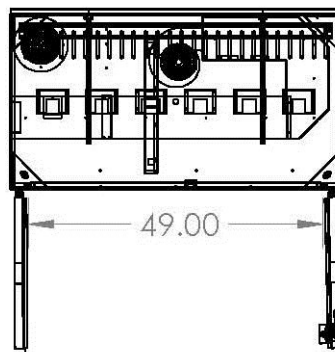
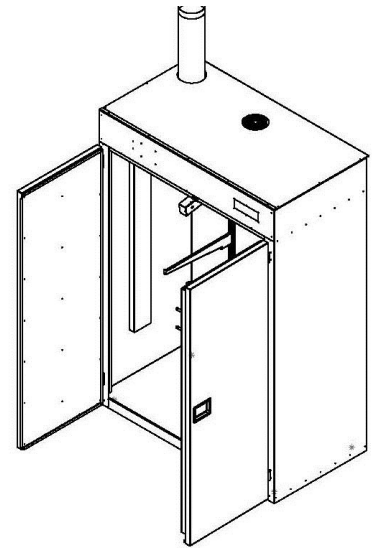
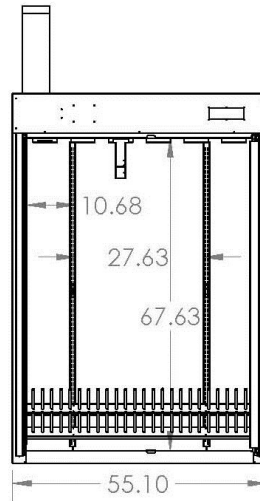




# DRYING CABINET SPECIFICATIONS

## -SPECIFICATIONS

- Electric Heating- 6 kW
- 63 Cubic Feet interior space
- Electric Connection-208-220/240V – 60 Hz 1 Phase 40 amp breaker
- Exhaust Diameter - 6"
- Outlet Airflow- 460 cfm
- External Floor Drain
- Net Weight 460 lbs.
- Shipping Weight 630 lbs.
- Depth 31"
- Height 80"
- Width 55"



## Electrical Specifications

Voltage	Phase	Wire Service	KW	Amps/ 60 HZ	Circuit Breaker
208	1	2	5.5	26.2	40
220	1	2	6.3	28.6	40
240	1	2	7.2	30.0	40