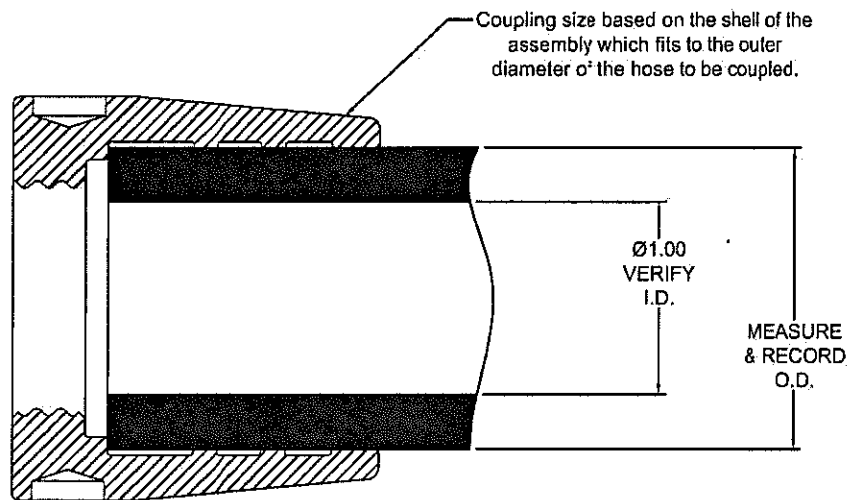
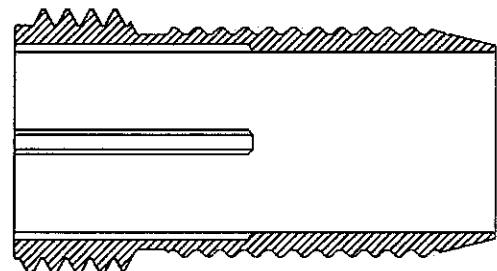
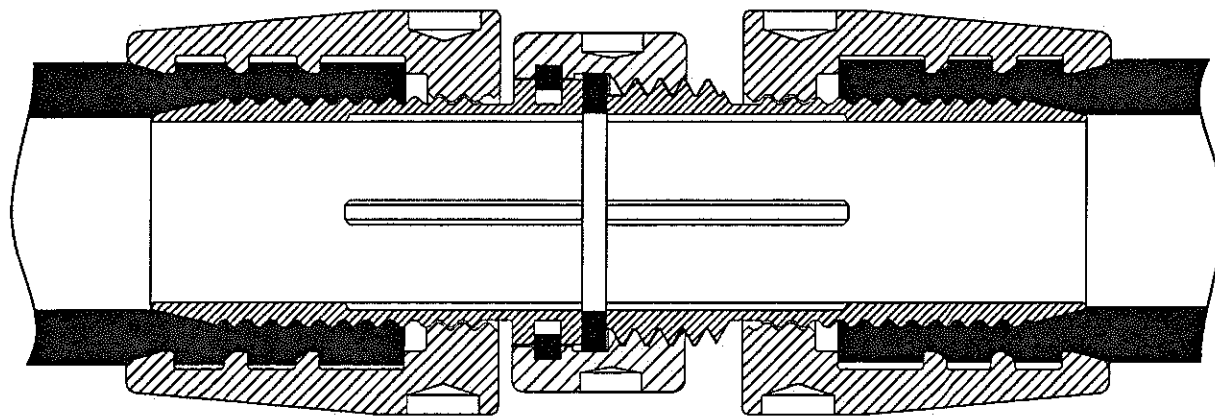


REV	DESCRIPTION	BY	DATE
X	XXXXXXXXXXXXXXXXXXXXXXXXXXXX	XXX	XX/XX/XX
X	XXXXXXXXXXXXXXXXXXXXXXXXXXXX	XXX	XX/XX/XX



Applications for Booster Hose Couplings:

- For 1" non-collapsible rubber hose.


Ordering:

1. Determine thread to be used (NH vs NPSH).
2. Verify that the hose inner diameter measures 1".
3. Measure the outer diameter. This is used to order the coupling.
 - 3.1. For example, if your hose is measuring 1.437" (1-7/16") on the OD and using NH thread, then order the **BH10-1-716-NH** from the catalog.

000403

PROPRIETARY AND CONFIDENTIAL

This document and the information herein are confidential and are the EXCLUSIVE PROPERTY of Action Coupling & Equip., Inc. Holmesville, OH and shall not be reproduced or used without the prior written consent of Action Coupling & Equip., Inc.



8248 C.R. 245, HOLMESVILLE, OH, 44633 Ph. #: 330/279-4242, FAX 330/279-4208

DESCRIPTION:			
BH - Booster Hose Coupling Assembly View			
+			
Information for Ordering Couplings			
DRAWN BY: ZRS	SCALE: 1 : 1	DWG NO.	REV.
CHK'D BY:	DATE: 05/24/23	000403	